



Vehicle History Report™

US \$39.99

2014 VOLKSWAGEN JETTA SE

VIN: 3VWD17AJ2EM360807
 SEDAN 4 DR
 1.8L I4 F DOHC 16V
 GASOLINE
 FRONT WHEEL DRIVE



Accident reported: moderate damage



Damage reported



3 Previous owners



At least 1 open recall



12 Service history records



124,278 Last reported odometer reading

This CARFAX Report Provided by:
Victory Auto Sales, LLC



This CARFAX Vehicle History Report is based only on information supplied to CARFAX and available as of 5/6/20 at 9:57:54 AM (CDT). Other information about this vehicle, including problems, may not have been reported to CARFAX. Use this report as one important tool, along with a vehicle inspection and test drive, to make a better decision about your next used car.



Ownership History

The number of owners is estimated

	Owner 1	Owner 2	Owner 3
Year purchased	2013	2014	2019
Type of owner	Rental	Personal	Personal
Estimated length of ownership	1 yr. 2 mo.	4 yrs. 4 mo.	9 months
Owned in the following states/provinces	Missouri	Tennessee	Tennessee
Estimated miles driven per year	22,504/yr	16,248/yr	---
Last reported odometer reading	27,094	96,045	124,278



Title History

CARFAX guarantees the information in this section

	Owner 1	Owner 2	Owner 3
Salvage Junk Rebuilt Fire Flood Hail Lemon	<input checked="" type="checkbox"/> Guaranteed No Problem	<input checked="" type="checkbox"/> Guaranteed No Problem	<input checked="" type="checkbox"/> Guaranteed No Problem
Not Actual Mileage Exceeds Mechanical Limits	<input checked="" type="checkbox"/> Guaranteed No Problem	<input checked="" type="checkbox"/> Guaranteed No Problem	<input checked="" type="checkbox"/> Guaranteed No Problem



GUARANTEED - None of these major title problems were reported by a state Department of Motor Vehicles (DMV). If you find that any of these title problems were reported by a DMV and not included in this report, CARFAX will buy this vehicle back.
[Register](#) | [View Terms](#) | [View Certificate](#)



Additional History

Not all accidents / issues are reported to CARFAX






	Owner 1	Owner 2	Owner 3
Total Loss No total loss reported to CARFAX.	<input checked="" type="checkbox"/> No Issues Reported	<input checked="" type="checkbox"/> No Issues Reported	<input checked="" type="checkbox"/> No Issues Reported
Structural Damage	<input checked="" type="checkbox"/> No Issues	<input checked="" type="checkbox"/> No Issues	<input checked="" type="checkbox"/> No Issues

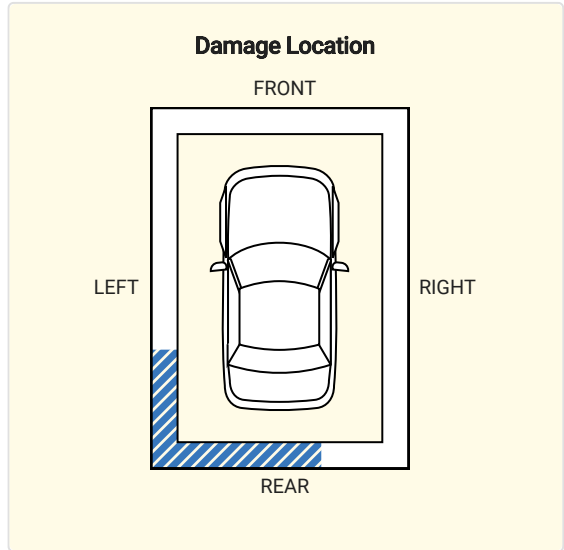
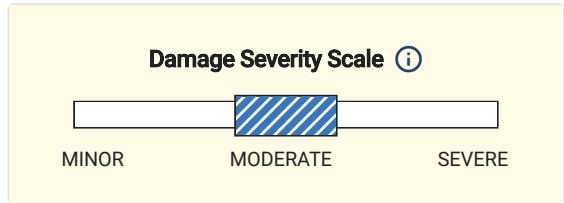
CARFAX recommends that you have this vehicle inspected by a collision repair specialist.	Reported	Reported	Reported
Airbag Deployment No airbag deployment reported to CARFAX.	No Issues Reported	No Issues Reported	No Issues Reported
Odometer Check No indication of an odometer rollback.	No Issues Indicated	No Issues Indicated	No Issues Indicated
Accident / Damage Accident reported on 01/30/2018. Damage reported on 09/19/2018.	No Issues Reported	Accident Reported	No New Issues Reported
Manufacturer Recall At least 1 manufacturer recall requires service. Locate an authorized Volkswagen dealer to obtain more information about this recall.	No Recalls Reported	No Recalls Reported	Recall Reported
Basic Warranty Original warranty estimated to have expired.	Warranty Expired	Warranty Expired	Warranty Expired



Detailed History

Owner 1			Rental Vehicle
Purchased: 2013			22,504 mi/yr
Date	Mileage	Source	Comments
Not Reported		NICB	Vehicle manufactured and shipped to original dealer
08/28/2013	10	Missouri Motor Vehicle Dept.	Vehicle purchase reported - Titled or registered as rental vehicle
08/30/2013		Missouri Motor Vehicle Dept. Saint Louis, MO Title #TLJ49390	Title issued or updated - Registration issued or renewed - First owner reported
06/24/2014	18,015	Volkswagen of Orland Park Orland Park, IL 708-428-5000 vworland.com ★ 4.4 / 5.0 41 Verified Reviews	Vehicle serviced - Drivability/performance checked - Fuel filler door adjusted
08/05/2014	20,014	Wentworth Tire Service South Holland, IL 708-331-7440 wentworthtire.com ★ 4.8 / 5.0 22 Verified Reviews ♥ 34 Customer Favorites	Vehicle serviced - Tires rotated - Oil and filter changed - Fluids checked
08/22/2014		Missouri Motor Vehicle Dept. Saint Louis, MO Title #TLJ49390	Registration issued or renewed
11/10/2014	27,077	Fleet/Lease Company	Vehicle sold
11/13/2014	27,094	Volvo of Memphis Cordova, TN 901-373-3000 volvoofmemphis.com ★ 4.5 / 5.0 36 Verified Reviews ♥ 72 Customer Favorites	Vehicle serviced - Pre-delivery inspection completed
11/14/2014		Dealer Inventory	Vehicle offered for sale

Owner 2			Personal Vehicle
Purchased: 2014			16,248 mi/yr
Date	Mileage	Source	Comments
12/30/2014	27,624	Tennessee Motor Vehicle Dept.	Vehicle purchase reported
01/09/2015		Tennessee Motor Vehicle Dept. Collierville, TN Title #93487739	Title or registration issued - New owner reported - Loan or lien reported - Vehicle color noted as Gray
08/31/2015		Tennessee Motor Vehicle Dept. Collierville, TN Title #93487739	Registration issued or renewed - Loan or lien reported - Vehicle color noted as Gray
08/30/2016		Tennessee Motor Vehicle Dept. Collierville, TN Title #93487739	Registration issued or renewed - Loan or lien reported - Vehicle color noted as Gray
05/09/2017	60,000	Valvoline Instant Oil Change Collierville, TN 901-853-8841 vioc.com ★ 4.7 / 5.0 47 Verified Reviews  ♥ 195 Customer Favorites	 Vehicle serviced - Air filter replaced - Oil and filter changed
08/28/2017		Tennessee Motor Vehicle Dept. Collierville, TN Title #93487739	Registration issued or renewed - Loan or lien reported - Vehicle color noted as Gray
01/12/2018	70,704	Havoline Xpress Lube - Woodstock Woodstock, GA 770-926-7311 havolinexpresslube.net ★ 4.8 / 5.0 52 Verified Reviews  ♥ 184 Customer Favorites	 Vehicle serviced - Oil and filter changed
01/30/2018		Georgia Damage Report	 Accident reported: moderate damage - Vehicle involved in a rear-end collision - Involving left rear impact - Damage to rear - Airbags did not deploy



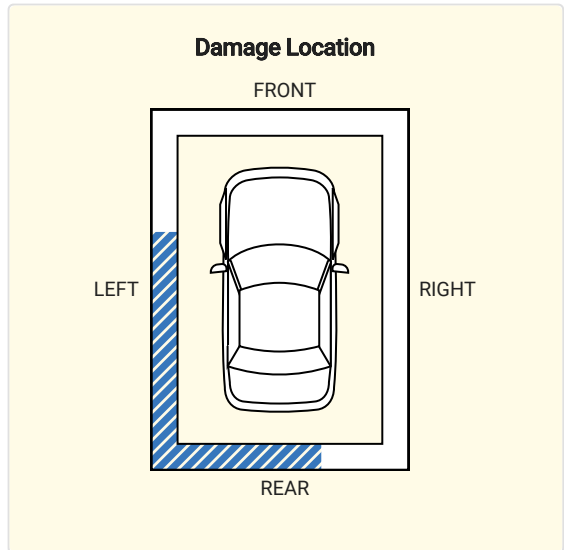
09/19/2018

Damage Report



Damage reported

- Damage to left side
- Damage to left rear
- Damage to rear



10/04/2018

86,090

Discount Muffler & Customs
 Rossville, TN
 901-853-1767
<https://facebook.com/discmuf/>

♥ 1 Customer Favorite



Vehicle serviced

01/16/2019

92,028

Memphis Motor Werks
 Cordova, TN
 901-757-1009

★ 4.9 / 5.0 [7 Verified Reviews](#)

♥ 17 Customer Favorites



Vehicle serviced

- Engine compression checked

03/16/2019

96,045

Gateway Tire and Service - Poplar Avenue



Vehicle serviced

- Oil and filter changed

Memphis, TN
901-458-1197
gatewaytire.net/

★ 5.0 / 5.0 [6 Verified Reviews](#)



♥ 2 Customer Favorites

Owner 3

Personal Vehicle

Purchased: 2019

Date	Mileage	Source	Comments
05/18/2019	103,072	Tennessee Motor Vehicle Dept.	Vehicle purchase reported
06/07/2019		Tennessee Motor Vehicle Dept. Memphis, TN Title #17900296030	Title or registration issued - New owner reported - Vehicle color noted as Gray
06/22/2019	104,183	Gateway Tire and Service - Poplar Avenue Memphis, TN 901-458-1197 gatewaytire.net/ ★ 5.0 / 5.0 6 Verified Reviews ♥ 2 Customer Favorites	Vehicle serviced - Oil and filter changed
08/27/2019		Volkswagen	Manufacturer Compliance Recall issued - NHTSA #19V615 - Recall #37M2 MICRO SWITCH - Status: Remedy Available Locate an authorized Volkswagen dealer to obtain more information about this recall - Learn more about this recall
<p>Description: Over time, a build up of silicate on the shift lever micro switch contacts can result in an isolation like layer that may be interpreted as an open micro switch. This open switch normally indicates that the shift lever is in P park position. If the build up happens, it may be possible to remove the key from the ignition switch without the shift lever being in the P park position because the system is unable to recognize that the vehicle is not in P park. This makes the vehicle noncompliant with FMVSS 114 Theft protection and rollaway prevention. If the ignition key is removed without the shift lever being in P Park position, there is a risk that the vehicle may roll away, resulting in a crash that could injure people and damage property.</p> <p>Remedy: Install an additional switch and circuit board.</p>			
09/30/2019	112,840	Express Oil Change & Tire Engineers Memphis, TN 901-756-3585 expressoil.com ★ 4.7 / 5.0 17 Verified Reviews ♥ 24 Customer Favorites	Vehicle serviced - Maintenance inspection completed - Oil and filter changed
12/13/2019	118,840	Express Oil Change & Tire Engineers Memphis, TN 901-756-3585 expressoil.com ★ 4.7 / 5.0 17 Verified Reviews ♥ 24 Customer Favorites	Vehicle serviced - Maintenance inspection completed - Oil and filter changed
03/03/2020		Volvo of Memphis Cordova, TN 901-373-3000 volvoofmemphis.com ★ 4.5 / 5.0 36 Verified Reviews	Vehicle serviced - Pre-delivery inspection completed

 72 Customer Favorites

03/03/2020	124,278	Dealer Inventory	Vehicle offered for sale
------------	---------	------------------	--------------------------

Have Questions? Consumers, please visit our Help Center at www.carfax.com. Dealers or Subscribers, please visit our Help Center at www.carfaxonline.com.



Glossary

Accident Indicator

CARFAX receives information about accidents in all 50 states, the District of Columbia and Canada.

Not every accident is reported to CARFAX. As details about the accident become available, those additional details are added to the CARFAX Vehicle History Report. CARFAX recommends that you have this vehicle inspected by a qualified mechanic.

- According to the National Safety Council, Injury Facts, 2015 edition, 8% of the 254 million registered vehicles in the U.S. were involved in an accident in 2013. Over 74% of these were considered minor or moderate.
- This CARFAX Vehicle History Report is based only on information supplied to CARFAX and available as of 5/6/20 at 9:57:54 AM (CDT). Other information about this vehicle, including problems, may not have been reported to CARFAX. Use this report as one important tool, along with a vehicle inspection and test drive, to make a better decision about your next used car.

Georgia Damage Reports:

- Provide an estimate of the extent of damage in its accident reports for the following:
 - MINOR / SLIGHT: The accident damage does not affect the operation of the vehicle and should not compromise vehicle safety. Examples include dented bumpers, fenders, grills and body panels.
 - MODERATE: The accident damage is moderate and may affect the operation of the vehicle and/or its parts. Examples include broken windows, trunk lids, doors, bumpers and tires.
 - SEVERE / EXTENSIVE: The accident damage was major and may affect the operation of the vehicle. This level of damage often results in a Salvage or Junk title.
- Are required if the estimated damage exceeds \$500

Damage Indicator

Damage can be a result of many different types of events. Examples include contact with objects (other cars, trees, traffic signs, road debris, etc), vandalism, or weather-related events. Not every damage event is reported to CARFAX. As details about the damage event become available, those additional details are added to the CARFAX Vehicle History Report. CARFAX recommends that you have this vehicle inspected by a qualified mechanic.

- This CARFAX Vehicle History Report is based only on information supplied to CARFAX and available as of 5/6/20 at 9:57:54 AM (CDT). Other information about this vehicle, including problems, may not have been reported to CARFAX. Use this report as one important tool, along with a vehicle inspection and test drive, to make a better decision about your next used car.

First Owner

When the first owner(s) obtains a title from a Department of Motor Vehicles as proof of ownership.

Manufacturer Recall

Automobile manufacturers issue recall notices to inform owners of car defects that have come to the manufacturer's attention. Recalls also suggest improvements that can be made to improve the safety of a particular vehicle. Most manufacturer recalls can be repaired at no cost to you.

New Owner Reported

When a vehicle is sold to a new owner, the Title must be transferred to the new owner(s) at a Department of Motor Vehicles.

Ownership History

CARFAX defines an owner as an individual or business that possesses and uses a vehicle. Not all title transactions represent changes in ownership. To provide estimated number of owners, CARFAX proprietary technology analyzes all the events in a vehicle history. Estimated ownership is available for vehicles manufactured after 1991 and titled solely in the US including Puerto Rico. Dealers sometimes opt to take ownership of a vehicle and are required to in the following states: Maine, Massachusetts, New Jersey, Ohio, Oklahoma, Pennsylvania and South Dakota. Please consider this as you review a vehicle's estimated ownership history.

Rental

Vehicle was registered by a rental agency.

Title Issued

A state issues a title to provide a vehicle owner with proof of ownership. Each title has a unique number. Each title or registration record on a CARFAX report does not necessarily indicate a change in ownership. In Canada, a registration and bill of sale are used

as proof of ownership.

Follow Us:  facebook.com/CARFAX  [@CarfaxReports](https://twitter.com/CarfaxReports)  About CARFAX

CARFAX DEPENDS ON ITS SOURCES FOR THE ACCURACY AND RELIABILITY OF ITS INFORMATION. THEREFORE, NO RESPONSIBILITY IS ASSUMED BY CARFAX OR ITS AGENTS FOR ERRORS OR OMISSIONS IN THIS REPORT. CARFAX FURTHER EXPRESSLY DISCLAIMS ALL WARRANTIES, EXPRESS OR IMPLIED, INCLUDING ANY IMPLIED WARRANTIES OF MERCHANTABILITY OR FITNESS FOR A PARTICULAR PURPOSE. CARFAX®

© 2020 CARFAX, Inc., a unit of IHS Markit. All rights reserved.
Covered by United States Patent Nos. 7,113,853; 7,778,841; 7,596,512, 8,600,823; 8,595,079; 8,606,648; 7,505,838.
5/6/20 9:57:54 AM (CDT)

I have reviewed and received a copy of the CARFAX Vehicle History Report for this 2014 VOLKSWAGEN JETTA vehicle (VIN: 3VWD17AJ2EM360807), which is based on information supplied to CARFAX and available as of 5/6/20 at 10:57 AM (EDT).

Customer Signature

Date

Dealer Signature

Date